

R6042ODI

59.5" x 41.5" x 21.75"

GENERAL SPECIFICATIONS:

Installation: Drop-In (cannot be undermounted)

Material: Acrylic

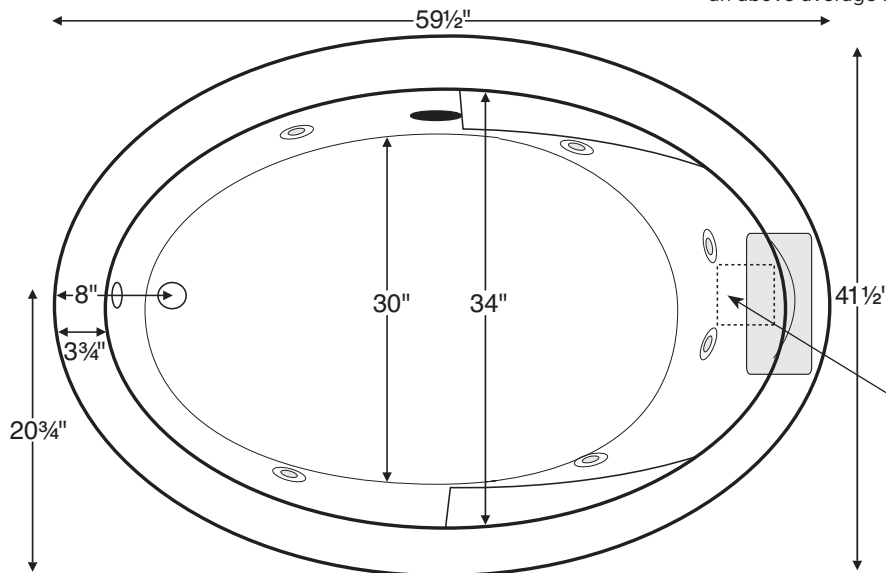
Plumbed Weight: 99 lbs / 45 kg

Soaker Weight: 75 lbs / 34 kg

Average Fill: 42 gal to above jet level

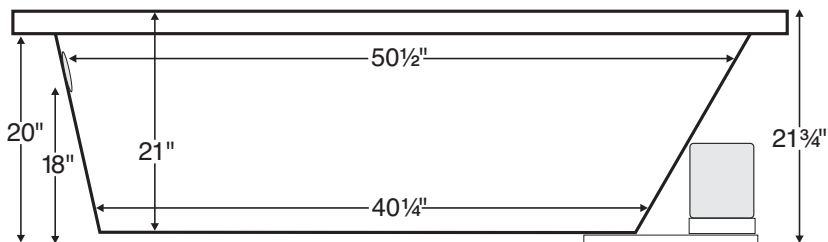
Maximum Fill: 88 gal to overflow

NOTE: Filling this tub to the maximum may require an above average size or dedicated water heater.



Shown with Whirlpool Package

Compliance Label
 Model MTXXXX
 Made in USA
 Complies with
 ANSI Z124.1-1995
 CSA Certified C/US



ELECTRICAL SPECIFICATIONS

- Required Electrical Service** - 110 Volt
- Air Bath or Whirlpool** - 1-15 amp GFCI
- Soaker** - Inline Heater - 1-15 amp GFCI
- Air Bath** - Inline Heater - 1-15 amp GFCI
- Whirlpool** - Inline Heater - 1-15 amp GFCI

CSA Certified C/US; ANSI Z124.1
CSA Certified C/US; ANSI 112.19.7

IMPORTANT ORDERING & INSTALLATION INFORMATION:

- Before ordering or installing, please consider future access to all equipment.
- Please measure tub on-site before building tub decking.
- Add bedding compound to fully level and support bottom of tub.
- Tubs equipped with an air bath or a pre-leveled foam base are designed to rest on the floor without bedding compound, provided the floor is level.
- Overall tub height is increased by approx. 2-3" when tub is equipped with any air bath package.
- Jet, pump & blower locations are predetermined and cannot be changed.
- Suction and control locations may vary.

• Before discarding tub crate, check for accessories that may be packaged inside.
 • All product measurements are ±1/2".
 • Specifications and configurations are subject to change without notice.
 • Measurements herein supersede all others published prior to publication date below.

PACKAGE	PACKAGE CONTENTS	PART #
Soaker	Soaking bath - No jets. Includes textured bottom.	R6042ODIS
Air Bath	12 air jets, heated air blower, pre-leveled foam base and textured bottom. <i>pre-leveled foam base increases overall tub height 2"-3"</i>	R6042ODIA
Whirlpool	6 point-massage jets, 1-bhp pump and textured bottom	R6042ODIW

OPTIONS <i>(must be ordered at time of purchase)</i>
Color Upgrade: Biscuit (RCOLOR)
Inline Heater For Whirlpool (RHTI) Heater with Recirculating Pump for Soaker & Air Bath (RHTISOAK)
ACCESSORIES
Lift and Turn Drain & Overflow Chrome (RWOC) Brushed Nickel (RWOBN) White (RWOW)
Pillows Soft Pillow White (RPSW) Black (RPSB) Roll-Up Pillow Light Aqua (RPRUC) Black (RPRUB)
INSTALLATION OPTIONS <i>(must be ordered at time of purchase)</i>
Pre-Leveled Foam Base (included with all airbaths) 5' Tubs (RPLFOAM) 5.5' & 6' Tubs (RPLFOAM2)